



ATI BIN





NOORATI

RF TRANSMITTER

WWW.ATIBINCO.IR



- ⊘ For greater security and to prevent losses, pay attention to the following points**
- ⊘ Avoid placing the device in a humid and hot places.**
- ⊘ Avoid placing heavy objects on the device.**
- ⊘ Use a dry cloth to clean to avoid static electricity and possible malfunction of the device.**
- ⊘ Do not install the product inside the metal box.**
- ⊘ Wait a few seconds after each unsuccessful attempt**

- ▶ **-Noorati is a smart remote that has the ability to store 15 Remote keys.**
- ▶ **-This device is connected to the High Beam Headlight path of the car, and by turning on the High Beam, it sends the signal stored on it to the door.**
- ▶ **-This device has the ability to work by turning on high beam once, twice or three times. One time means turning on the high beam for one time and hold it for seconds or two time means turn high beam on for 0.5 second and turn it off, for second time turn it on and hold it to sending signal to the door. You can also repeat the Previous steps for three times.**
- ▶ **- five remote keys are stored for each mode. It takes 2 seconds to send 5 remote signals in a row, it means, to send the fifth signal on each mode, you must hold the high beam lever for at least 10 seconds.**
- ▶ **- It is recommended to store the remotes on two time high beam and three time high beam of the device in order to prevent the device from interfering with the opening and closing of the door**

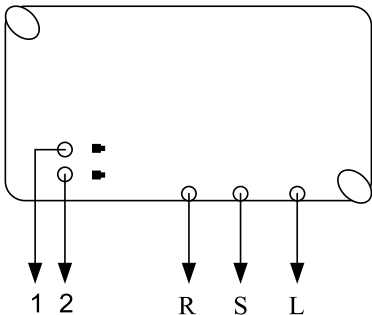
Terminals:

1- the 1 and 2 Terminals are for input power that is 12 volts DC with a maximum current of one amper.

2-The push button key "S" is the set key of the device to set the remote key.

3. The push button key "R" is the key to delete the remote key.

4. LED "L" shows the status of the device.





How to set the remote on device:

1- turn the high beam once or twice or three times and hold it.

*** The meaning of turning the high beam twice or three times on is that there should be a 0.5 second break between each time.**

*** By pressing the high beam once and holding it, the LED on device blinking green and red, twice, the blinking green, and with three times, the led blinking red.**

2- When you turn on and hold the high beam, you must simultaneously hold the "S" key on the device.

*** As soon as you press the "S" button on the device, the fast flashing led changes to a slow flashing mode, and this change means that the device is ready to set the remote.**

3-If the right key is held on the device and the light is on, just hold the desired button on the remote to set the remote to the Noorati.

*** If this process is done correctly, the light on the device will change color.**

**** To delete, you must do all the steps above, only in step 2, instead of holding the "S" key, hold the "R" key.**

*****To remove all remotes or reset the device, you must hold the left and right buttons on the device for 5 seconds at the same time.**

******If you see that the color did not change while setting the remote on the device and the same color started to flash quickly, it means that this remote has already been set on the device or that the memory is full and cannot save the new remote .**



Warranty conditions:

-This device includes 18 months warranty from the date of production.

-If the device needs to be repaired after the warranty period, it will be charged according to the cost of the replaced parts.

-It is mandatory to provide a guarantee for the replacement or repair of the defective device at the time of validation.

The following items are not included in the device warranty:

Damage caused by contact with water, fire, lightning, two-phase electricity, impact or excessive pressure on the sensitive parts of the device, and apparent fractures.



ATIBIN Fanavar Isatis Knowledge base Company

Address: 2nd Floor, Yazd Science and Technology park, biotechnology Building, Yazd Complex of government offices, 3rah ta'avon , daneshjoo BLV. yazd, Iran

Tel: +98-2191559030
Mobile: +98-9103846680



WWW.**ATIBINCO**.IR